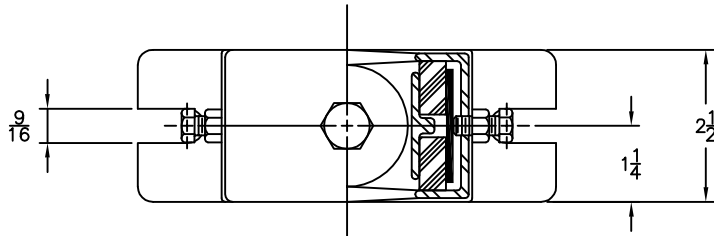
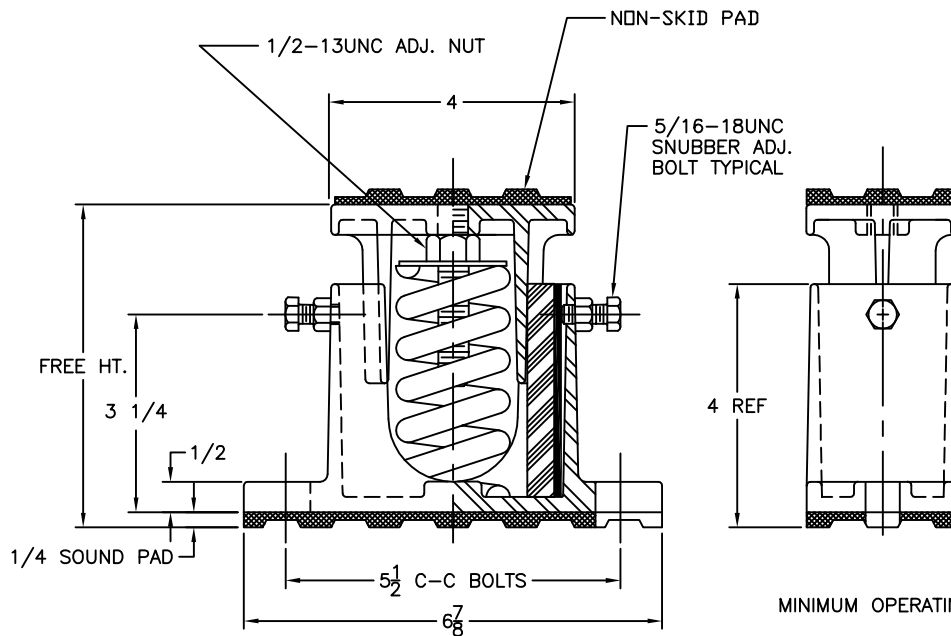


REV.	DESCRIPTION	DATE	BY



PART NUMBER	ISOLATOR MODEL	MAX. STEADY (LBS)	MAX. IMPACT (LBS)	ISOLATOR CONSTANT (LBS)	MIN. FREE HEIGHT	COLOR CODE
602647-50	LIA-50	50	△	25	5 1/2	YELLOW
602647-51	LIA-51	125	△	62.5		ORANGE
602647-52	LIA-52	200	△	120		BROWN
602647-53	LIA-53	300	△	190		BLACK
602647-54	LIA-54	500	△	345		GREEN
602647-55	LIA-55	700	△	560	4 7/8	BLUE
602647-56	LIA-56	1200	△	1650		PURPLE
602647-45	LIA-45	325	260	440		BROWN
602647-46	LIA-46	450	360	800		RED
602647-47	LIA-47	600	480	1225		PURPLE
602647-57	LIA-57	1100	825	2929		BLUE
602647-68	LIA-68	1300	1225	2650		GREEN



NOTES;

- ALL DIMENSIONS ARE IN INCHES INTERPRET PER ANSI Y 14.
- STANDARD FINISH: CONTACT VMC FOR ADDITIONAL AVAILABILITY.
- RECOMMENDED MAXIMUM TORQUING OF ISOLATOR BASE ANCHORS TO 5FT-LBS. AFTER EQUIPMENT IS INSTALLED.
- A. STEEL WELDMENTS: STANDARD VMC COLOR.  
B. SPRING: POWDER  
C. HARWARE: ELECTRO-ZINC PLATED.
- △ CURRENTLY UNDER ENGINEERING REVIEW
- EST. UNIT WEIGHT: 55 LBS.
- USE OF BLOCKING IS REQUIRED ALONGSIDE EACH ISOLATOR, EQUAL TO ISOLATOR FREE HEIGHT SO AS TO TEMPORARILY TRANSFER THE EQUIPMENT LOAD ONTO BLOCKING UNTIL THE LOAD IS TRANSFERRED TO THE SPRING BY TURNING ADJUSTING BOLT CAUSING ISOLATOR TO LIFT EQUIPMENT ABOVE BLOCKING. REMOVE BLOCKING AFTER INSTALLATION IS COMPLETE.
- HAND TIGHTEN SIDE SNUBBING BOLT.

OTHER MATERIALS, COMPOUNDS, OR FINISHES WITH EQUAL OR SUPERIOR PROPERTIES MAY BE SUBSTITUTED AS THEY BECOME AVAILABLE.

**CERTIFIED FOR:**

JOB NAME: \_\_\_\_\_  
 CUSTOMER : \_\_\_\_\_  
 CUSTOMER P.O.: \_\_\_\_\_  
 SALES ORDER: \_\_\_\_\_

**MODEL LIA 50-1300 LBS.  
 SPRING ISOLATOR WITH  
 ADJUSTABLE SNUBBER**



**THE VMC GROUP**  
*The Power of Together*  
 Bloomingdale, NJ 07403  
 Houston, TX 77041

SCALE :

NONE

SHEET:

1 OF 1



DRAWING NO.:

REVISION